

Miscellaneous Parts

Item Number	Description
10983258	Warranty Statement
B-701655-FLO	External Flow Control Valve (0-10 LPM)

Figure 1: HELiOS Universal Reservoir

Item Number	Description	Quantity	Bubble Seq No
B-701002-00	Shroud Screw -- SS #1/4-8 x 1¼"	2	1
10005527	Fill Connector Top Label	1	2
B-701528-00	Fill Connector Top Label (U.S. Only)	1	2
10005529	Front Shroud Label, U36	1	3
10005531	Front Shroud Label, U46	1	3
B-702104-00	Front Shroud Label (U.S. Only)	1	3
10005525	Flow Restriction Label	1	4
B-701533-00	Flow Restriction Label (U.S. Only)	1	4
10005523	Oxygen Diamond Label	1	5
B-701529-00	Oxygen Diamond Label (U.S. Only)	1	5
10003033	Upper Shroud	1	6
10024290-SV	Warming Coil Assembly (Includes Nuts and Ferrules)	1	7
B-701546-00	Condensate Collector	1	8
10006055-SV	U36 SERVICE BOTTLE	1	9
10006054-SV	U46 SERVICE BOTTLE	1	9

Figure 2: Configurable Parts

Item Number	Description	Quantity	Bubble Seq No
B-701635-00	Socket Head Cap Screw - - #10-24 x 3/8"	4	1
B-701695-00	Black Flexible Tube - - 1/16" x 12"	1	2
B-775794-00	Press-On Hose Clamp	2	3
B-778167-00	Brass Barbed Fitting - - 1/16" x 10-32	1	4
B-775139-00	Secondary Relief Valve (30 PSI)	1	5
B-778157-00	Brass Barbed Fitting - - 1/8" x 10-32	1	6
B-702105-LAN	Relief/Economizer Valve	1	7
10023687-SV	Economizer Tube Assembly (With Nuts & Ferrules)	1	8
B-775265-00	Tube Nut - - 1/4"	1	9
B-775063-00	Ferrule - - 1/4"	1	10
10024679	Withdrawal Tee	1	11
B-776175-00	Spring	1	12
B-702128-00	Compression Spacer	1	13
B-702127-00	O-Ring	2	14
B-775867-SV	Teflon Withdrawal Tube - - 30"	1	15
B-701543-00	Lower Shroud	1	16
10025090	Umbrella Seal	1	17
10023692	Manifold Extension Pipe	1	18
Reference	Cryogenic Container	1	19
B-701699-00	Vent Valve Outlet Orifice	1	20
20580960	Vent Valve Assembly (Includes 20, 22, 23, 24 & 25)	1	21
15102229	Vent Valve Wrench Adaptor	1	22
B-702226-00	Vent Valve Set Screw - - #8-32 Flat Point	1	23
10024963	Vent Valve Base	1	24
10024825	Vent Valve Screw Plug	2	25
15101621	Male QDV Assembly	1	26
B-702145-00	HELIOS Pipe Nipple	1	27

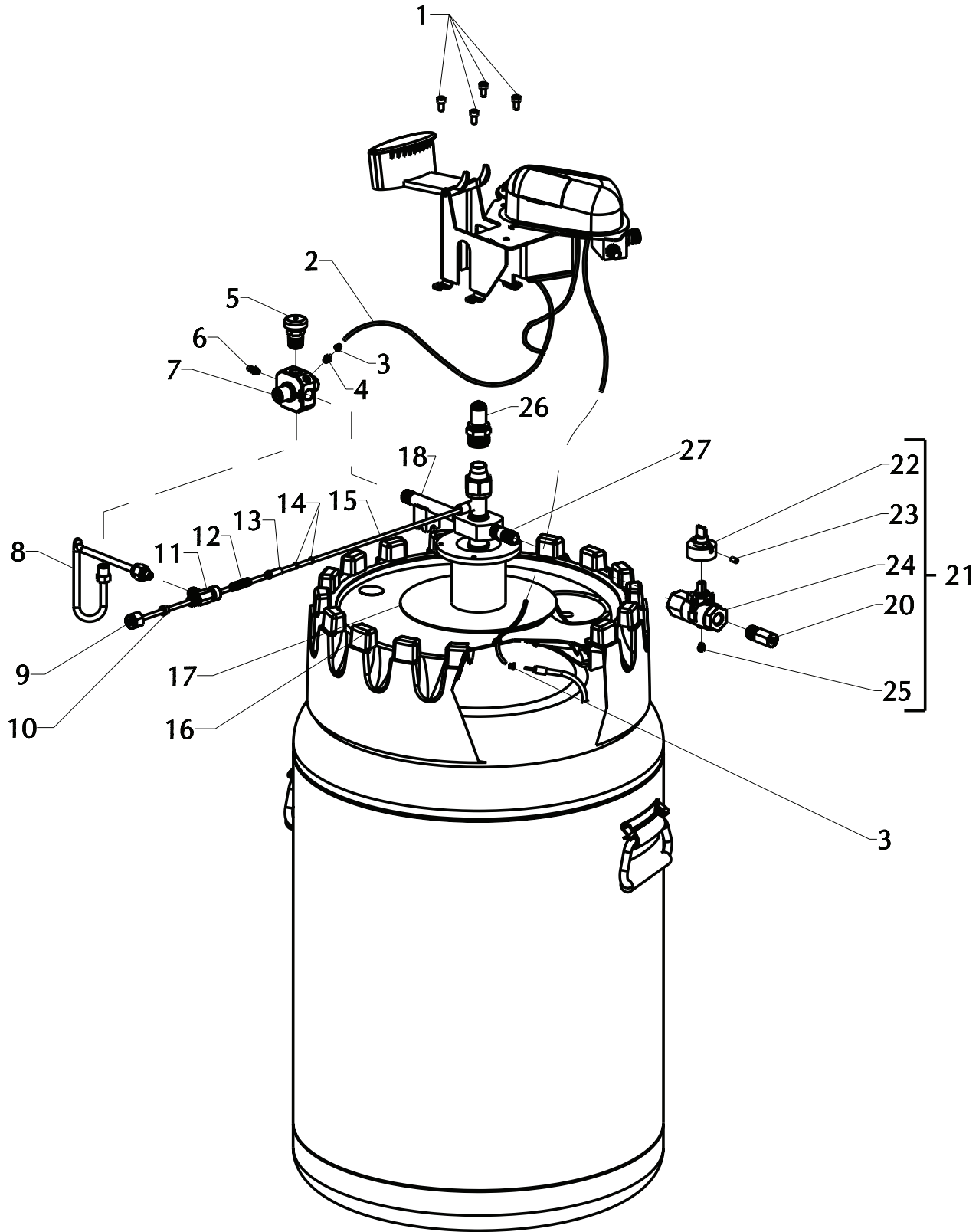


Figure 2: Configurable Parts

Figure 3: Bracket Assembly

Item Number	Description	Quantity	Bubble Seq No
B-701545-00	Release Button	1	1
B-702106-00	Release Lever	1	2
B-701524-00	Torx Head Screw - - #8-16 x 3/4"	2	3
B-777505-00	E-Ring	2	4
B-701634-00	Pivot Shaft	1	5
10003034	Reservoir Bracket	1	6
10023695	Outlet Mounting Block	1	7
B-702109-00	Mounting Screw	1	8
B-702071-00	DISS Fitting	1	9
10024680	Tubing Connector	1	10
B-775063-00	Ferrule - - 1/4"	1	11
B-775265-00	Tube Nut - - 1/4"	1	12
B-701583-SV	Black Flexible Tube - - 1/16" x 3"	2	13
B-701694-SV	Red Flexible Tube - - 1/16" x 15"	1	14
B-702207-00	Contents Indicator (Includes Items 16, 17)	1	15
Reference	9-Volt Battery	1	16
B-701523-00	Battery Door	1	17
B-775794-00	Press-On Hose Clamp	1	18
B-778167-00	Brass Barbed Fitting - - 1/16" x 10-32	1	19
B-701640-00	Pressure Gauge Grommet	1	20
B-702076-00	Pressure Gauge (0-100 PSI) (Includes Item 22)	1	21
B-778807-00	Pressure Gauge Lens	1	22
B-701635-00	Socket Head Cap Screw - - #10-24 x 3/8"	4	23
B-701526-00	"T" Connector	1	24

